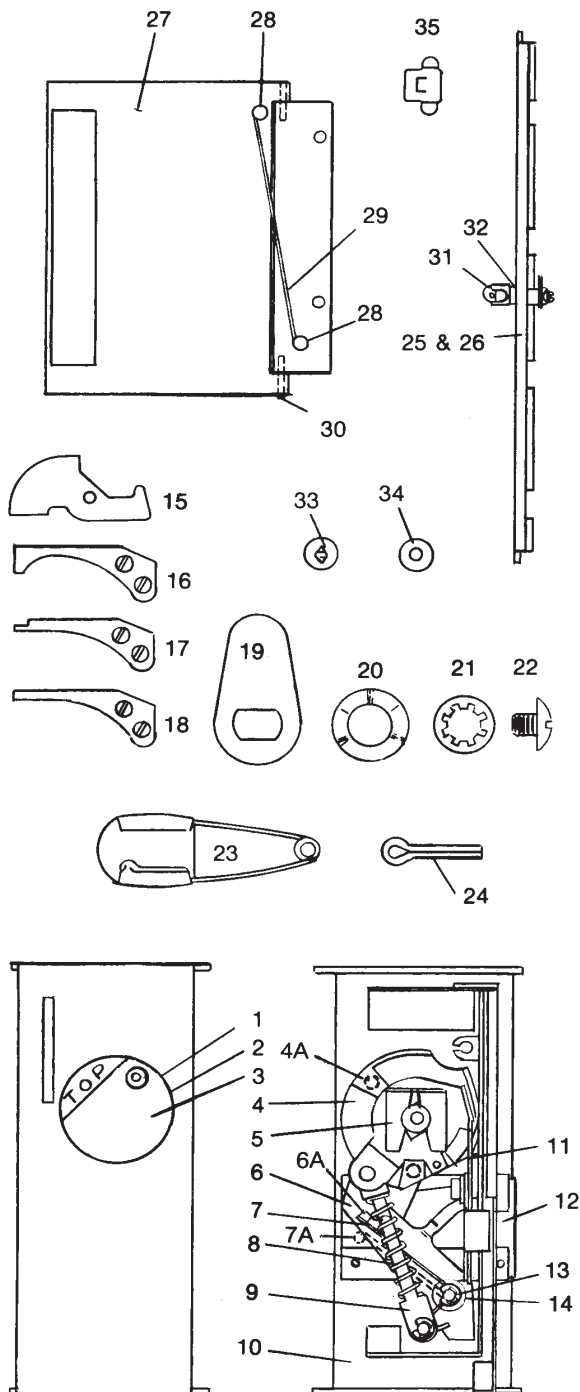


# AMERICAN LOCKER SECURITY SYSTEMS

## Mini-Check® Price List



### TO ORDER SERVICE PARTS

American Locker Security Systems, Inc.  
Worldwide Service Center

12 Martha St., Ellicottville, NY 14731-9799  
Tel: (800) 323-9428 FAX: (716) 699-2488

Order parts on-line: [www.americanlocker.com](http://www.americanlocker.com)

E-mail us at: [wservicecenter@americanlocker.com](mailto:wservicecenter@americanlocker.com)

\*Nine Wristband Colors Available: Blue, Ebony, Green, Orange, Pink, Purple, Teal, Yellow or Red

Item #	Part #	Description	Unit Price
<b>Keys</b>			
	AL8016802	Patron keys (by code with numbering)	\$5.80
<b>Complete Lock Assemblies</b>			
		Coin select Mini-Check, non-metered (Please specify denominations- dime, nickel, quarter, 2-quarter, tokens)	\$50.00
<b>Patron Cylinder Exchange</b>			
		Keyless cylinders MUST be returned to Ellicottville, NY with order for exchange patron cylinder and key	\$5.30
		When keyless cylinders are returned after exchange or with no exchange <b>credit issued will be each</b>	\$4.50
		Numbering on patron keys	\$0.45
		Add for attaching s/s pins or wristbands	\$1.00
<b>Miscellaneous Locker Parts</b>			
		Number decal (specify locker number)	
	AL7591800	Token gold	\$1.05
	AL7591801	Nickel gold	\$1.05
	AL7591802	Dime gold	\$1.05
	AL7591803	2-Quarter gold	\$1.05
	AL7591804	Quarter gold	\$1.05
	AL7591805	\$1.00 Coin-gold	\$1.05
	AL7591900	Token gray	\$1.05
	AL7591901	Nickel gray	\$1.05
	AL7591902	Dime gray	\$1.05
	AL7591903	2-Quarter gray	\$1.05
	AL7591904	Quarter gray	\$1.05
	AL7591905	\$1.00 Coin-gray	\$1.05
	AL7510000	Rawl fasteners, each	\$1.05
1	AL9436000	Bowed retainer ring (back of face plate)	\$ 0.17
2	AL8012800	Lock cylinder housing	\$ 2.05
3	AL8011801	Key and plug assembly (patron)	\$ 10.95
4	AL9702802	Cylinder cap assembly (no rivets)	\$ 9.35
4A	AL9506800	Cylinder cap assembly (riveted)	\$ 9.35
5	AL9437001	Cylinder retainer clip (pkg. of 25)	\$ 7.25
6	AL9434000	Coin feeler gauge (with tab)	\$ 1.70
6A	AL9434001	Coin feeler gauge (No tab)	\$ 1.70
7	AL9438001	Feeler gauge spring (no return)	\$ 0.85
7A	AL9438003	Feeler gauge spring (with return)	\$ 0.85
8	AL9446000	Retarding spring	\$ 0.55
9	AL9424000	Toggle spring guide	\$ 0.55
10	AL7000800	Lock face plate	\$ 18.10
11	AL7006800	Coin selector	\$ 3.60
12	AL9433000	Lock bolt	\$ 1.30
13	AL9435000	"E" retaining ring (pkg. of 50)	\$ 6.05
14	AL9714000	Washer	\$ 0.11
15	AL7006001	2 Quarter selector	\$ 2.55
16	AL9430800	Dime restrictor with screws	\$ 2.10
17	AL9530800	Token restrictor with screws	\$ 2.10
18	AL9431800	Nickel restrictor with screws	\$ 2.10
19	AL7505000	Control cam	\$ 1.65
20	AL9439001	Control spring washer	\$ 0.22
21	AL9441001	Control lock washer	\$ 0.22
22	AL9440000	Control screw	\$ 0.28
23	AL9450000	Pins loose (pkg of 25)	\$ 17.55
24	AL9287002	Cotter pin (pkg. of 50)	\$ 4.95
25	AL7580800	Face plate channel assembly with control lock (please specify code)	\$ 39.35
26	AL7580000	Face plate channel assembly without decals or control lock	\$ 25.85
27	AL7572800	Door and hinge assembly (Includes spring and pins)	\$ 32.45
28	AL7575000	Door spring drive screw	\$ 0.20
29	AL7573000	Door spring	\$ 0.75
30	AL7576000	Door hinge pins	\$ 0.25
31	AL8046802	Control key	\$ 4.50
32	AL8040800	Control cylinder	\$ 7.45
33	AL9288001	Fastener (pkg of 50)	\$ 4.40
34	AL9289001	Washer (pkg. of 50)	\$ 3.85
35	AL9444000	Dime insert	\$ 0.75
	AL9486003	Xcelplus lubricant	\$ 5.45

15% RESTOCKING CHARGE ON ALL RETURNED ORDERS.  
PRICES SUBJECT TO CHANGE WITHOUT PRIOR NOTICE. FOB SHIPPING POINT- MINIMUM BILLING \$25.00

February 2006