

Replacement Service Items

Part No.	Description	Unit Price
Keys		
AL 8046802	Control Key*	\$ 5.20
AL 8036802	Cash Key*	\$ 5.20
AL 8016802	Patron Key* w/numbering	\$ 6.70
Control and Cash Cylinders		
AL 8040800	Control Cylinder*	\$ 8.50
AL 8030800	Cash Cylinder*	\$ 8.50
Cash and Door Plate		
AL 8028000	Cash Plate- no provision for lock	\$ 6.70
AL 8900900	Cash Door- slide bolt, complete with lock*	\$ 25.00
	Handicap access option for conversion to existing lockers	\$ 75.20
Complete Lock Assemblies		
	Coin Select- Model No. 31 Control number and coin denomination (token, dime, 1, 2, or 3 quarter(s) must be specified. Model No. 39 control number must be specified, dollar coin	\$ 61.40
	As above, refurbished when available, contact service center	\$ 46.40
	No. 31B non metered, non-coin operated and 31H (Hasp)	\$ 48.90
	No. 31 metered- control number and coin denomination (token, dime, 1, 2, or 3 quarter(s) must be specified	\$ 84.50
	Accumulator- Model No. 31 control number must be specified 1-6 quarters	\$ 71.10
	Accumulator- Model No. 39 control number must be specified, 1-6 dollar coins	\$ 71.10
Patron Cylinder and Accessories		
AL 8011801	Patron Cylinder and Key	\$ 12.50
	Specify Numbering on Patron Key	\$ 0.60
AL 9450801	Stainless steel safety pin, attached to key	\$ 1.20
AL 8594801	ID tag and ring attached to key	\$ 1.90
	Cotter pin attached to key	\$ 0.80
AL 9390800	Wristband attached to key	\$ 1.20
Miscellaneous		
AL 9450000	Stainless steel safety pin, loose (pkg. Of 25)	\$ 20.00
AL 8594000	ID tag insert and ring, loose	\$ 1.60
AL 9480900	Key numbering set	\$ 39.90
AL 9487000	Key numbering marker	\$ 1.60
AL 9481803	Key numbering block	\$ 10.30
AL 4099900	Locker door handle assembly	\$ 7.30
AL 9474801	Locker number plate, specify numbers- Letters available at additional costs	\$ 0.90
AL 4142802	Door closure spring for 1, 2 & 3 high doors)	\$ 7.30
AL 4142803	Door closure spring for 4, 5 & 6 high doors	\$ 7.30
AL 4804001	Door bumper (pkg of 10)	\$ 1.90
	Specify Touch up paint (call for availability)	
AL 9486003	Xcelplus lubricant	\$ 6.30
AL 8675001	Cash pad	\$ 1.90
AL 8629000	Token, small (pkg. Of 50)	\$ 21.40
AL 9427015	Token, medium (pkg. Of 50)	\$ 21.40
AL 9427000	Token, large (pkg. Of 50)	\$ 21.40
	Specify Token, grooved (pkg. Of 50)	\$ 30.70
	Specify Locker doors, call service center for pricing	
Decals		
AL 5058000	Poster	\$ 6.90
AL 9462006	Instruction, inside locker door, coin collection locks	\$ 0.90
AL 9461001	Instruction, inside locker door, coin refund locks	\$ 0.90
AL 9462009	Instruction inside locker door, key operate only locks	\$ 0.90
AL 9467000	Instructions inside door	\$ 0.40
AL 9466000	Instructions inside door- coin return	\$ 0.40
	1 thru 6 quarter(s) must specify	\$ 0.50
AL 9458000	Dime	\$ 0.40
AL 9223000	Grooved token decal	\$ 0.60
AL 9456000	Token	\$ 0.40
AL 9517000	Accumulator decal	\$ 4.10



Parts Price List

Worldwide Service Center

(800) 323-9428 or (716) 699-2773

All requests for service and parts should be sent to:

American Locker Security Systems, Inc.

12 Martha Street

Ellicottville, NY 14731-9799

Service Center Hotline: (800) 323-9428

Fax: (716) 699-2488

Order Parts Online: www.americanlocker.com

or email us at: wwservicecenter@americanlocker.com

Prices subject to change without prior notice and

F.O.B. shipping point minimum billing \$25.00

15% restocking charge on all returned orders.

Corporate Sales Office:

2701 Regent Blvd, Ste 200 DFW Airport, TX 75261

PO Box 169 Coppell, TX 75019

Phone (800) 828-9118 or (817) 329-1600

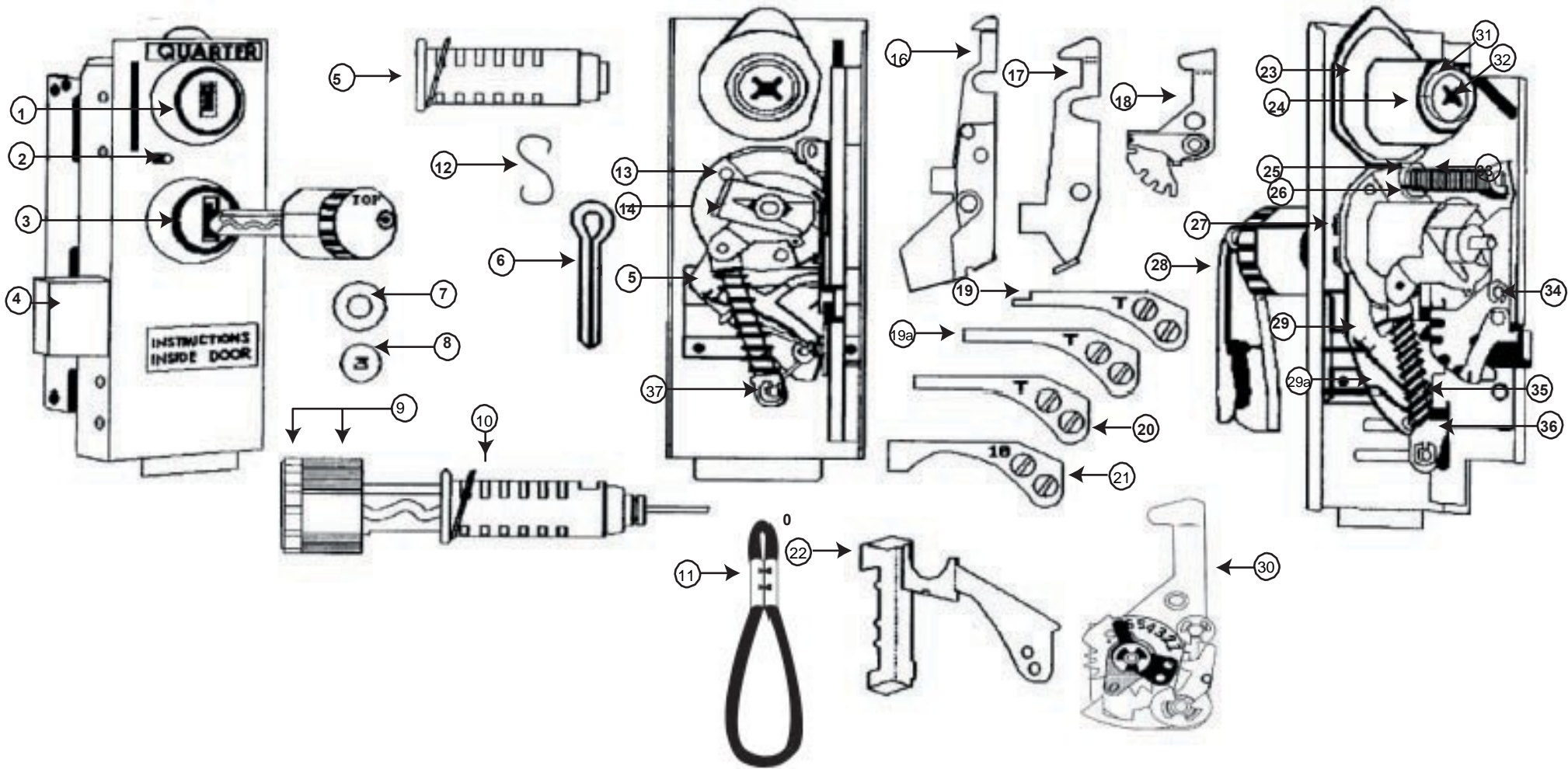
Fax: (817) 481-3993

Patron Cylinder Exchange		
	Keyless cylinders MUST be returned to Ellicottville, NY with order for exchange Patron Cylinder and Key	\$6.05
	When Keyless Cylinders are returned after exchange or with no exchange, credit issued will be	\$4.95 each
	Key and cylinder WITHOUT exchange	\$12.50 each
Lock Repair and Handling		
Handling	Handling inspection, cleaning, and packaging for locks returned to Service Center where only a cylinder exchange is required, patron cylinder and key extra	\$7.30 each
Minor Repair	Inspections, handling, simple part replacement, adjustment and packaging for locks that do not require disassembly of lock mechanism. Parts such as coin selector, retarding spring, control cap, etc... are covered, patron cylinder and key extra	\$14.20
Major Repair	Inspection, handling, major part replacement, adjustment and packaging for locks that require major disassembly of lock mechanism parts such as bolt, customer cylinder cap, coin feeler gauge, cylinder housings, etc... are covered, patron cylinder and key extra	\$24.50
Lock Fee Conversion	Contact Service Center for details	
Note:	Damage to lock faceplate, coin chute, bolt housing or meter (if equipped), are not repairable and proper new lock will be supplied at new lock cost and damaged lock will be returned to customer.	

We don't service all the customers in the world... just the world's finest.

*Code numbers must be specified

January 2012



Item #	Part #	Description	Price Each
1	AL 8034800	Control cylinder housing	\$2.40
2	AL 9448000	"A" Pin	\$0.60
3	AL 8012800	Customer cylinder housing	\$2.40
4	AL 9433000	Lock bolt	\$1.50
5	AL 8040800	Control cylinder	\$8.50
6	AL 9287002	Cotter pin (pkg. of 50)	\$5.70
7	AL 9289001	Washer (pkg. of 50)	\$4.40
8	AL 9288001	Speed nut fastener (pkg. of 50)	\$5.10
9		Inner & outer cap & stud (pkg. of 10)	\$8.70
10	AL 8011801	Patron cylinder with key	\$12.50
11	AL 9390000	Wristband* (pkg of 25)	\$20.00
12	AL 9476002	S Hook	\$0.20

Item #	Part #	Description	Price Each
13	AL 9702802	Cylinder cap assembly no rivets	\$10.70
13A	AL 9506800	Cylinder cap assembly riveted	\$10.70
14	AL 9437001	Cylinder retainer clip (pkg. of 25)	\$8.30
15	AL 9434000	Coin feeler gauge w/tab	\$2.00
15A	AL 9434001	Coin feeler gauge w/o tab	\$2.00
16	AL 9325800	Three quarter selector	\$6.60
17	AL 9553001	Two quarter selector	\$3.00
18	AL 9709801	Coin selector	\$3.00
19	AL 9530800	Large token restrictor w/screws	\$2.40
19A	AL 9530801	Medium token restrictor w/screws	\$2.40
20	AL 9432800	Small token restrictor w/screws	\$2.40
21	AL 9430800	Dime restrictor w/screws	\$2.40
22	AL 9526	Grooved token restrictor w/screws	\$4.60
23	AL 9426801	Control bolt cap assembly	\$4.00
24	AL 9441001	Control lock washer	\$0.30
25	AL 9443000	"A" pin bushing	\$0.40
26	AL 9447000	"A" pin spring	\$0.40

Item #	Part #	Description	Price Each
27	AL 9436000	Bowed retainer ring	\$0.20
28	AL 9450000	Safety pin (pkg. of 25)	\$20.00
	AL 9438001	FG Spring- no return-refund	\$1.00
29	AL 9438002	FG Spring-no return-collect	\$1.00
	AL 9438003	FG Spring-w/return-collect	\$1.00
29A	AL 9438004	FG Spring-w/return-refund	\$1.00
30	AL 9570802	Accumulator selector	\$10.50
31	AL 9439001	Control spring washer	\$0.30
32	AL 9440000	Control lock screw	\$0.40
33	AL 9294001	Coin selector spring	\$1.00
34	AL 9435000	"E" Retaining washer, small (pkg. of 50)	\$6.90
35	AL 9446000	Retarding spring	\$0.70
36	AL 9323002	Toggle spring guide-refund	\$0.70
37	AL 9424000	Toggle spring guide-collect	\$0.70

* Nine Wristband Colors Available:

Blue, Ebony, Green, Orange, Pink, Purple, Teal, Yellow or Red