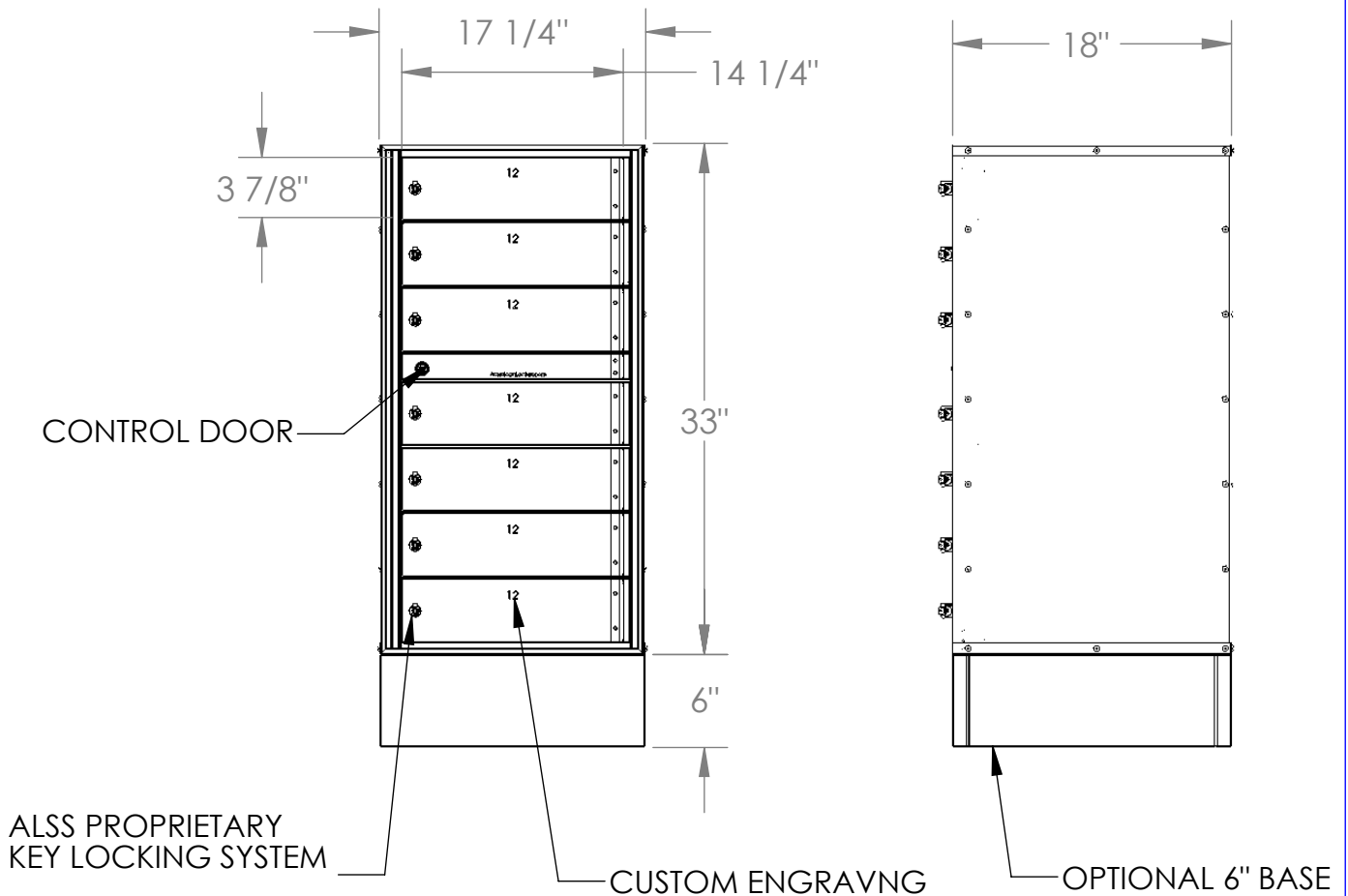




STACKABLE LAPTOP LOCKER



Overall Dimensions: 33" High X 17 1/4" Wide X 18" Deep.

Compartments (7): 3 7/8" High 14 1/4" Wide 17" Deep, with a power outlet for recharging.

Construction: All aluminum extrusion and material.

Master Door: Allows access to all compartments. Swings on Continuous extruded hinge, featuring top to bottom locking bar.

Doors: 5052 Aluminum with a thickness of 1/8", swing on continuous hinge.

Exterior: .050" 5052-H-32 Aluminum.

Door Identification: Custom engraving.

Locks: Security type lock with stainless steel components. One key is provided per compartment and two for the access door. ALSS key locking system is a proprietary system to protect against unauthorized duplications.

Colors: Anodized finish, Powder Coating Postal Gray, Gold, Silver or Bronze.

Mounting: Units are Stackable (2 maximum), Can be secured to a wall.

Options:

- 6" Aluminum Base (Shown).
- Indented plastic number plates.
- Black filled Permanent engraving
- 3 Digit combination locks with key.
- Casters